

QD EBAS E4 C

QUADRATO Tap Range Quadrato Basin Mixer Eco4 with Eco-Click & Pop-up Waste Chrome



Features:

- Supplied with metal handles
- Supplied with metal fixing nuts
- Includes eco-click water saving feature. Cartridge offers subtle resistance as it reaches approximately half of its full flow capability, saving water
- Product supplied with either a 3.5 or 6 litre per minute flow regulator which can be fitted to the spout outlet to reduce water consumption and increase water efficiency (Flow Regulator accurate +/- 10%)

Product Certifications:



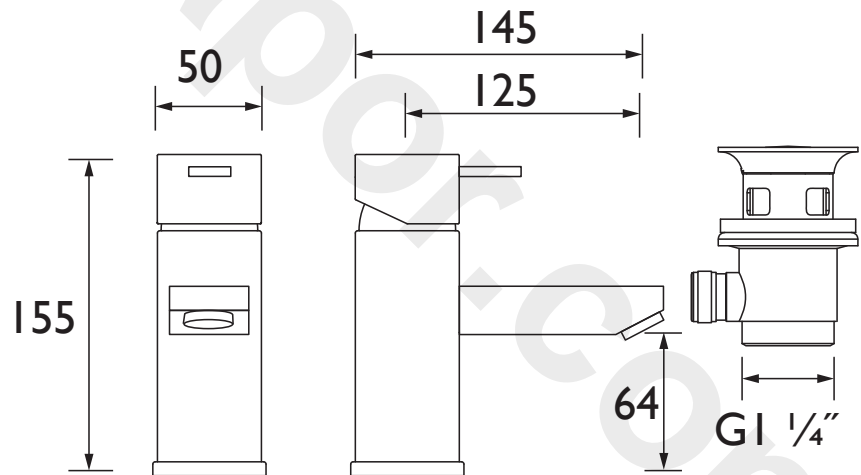
For more products, visit our website:
<http://www.bristan.com>



Specification

Product Type:	Quadrato
Main Construction Material:	Brass
Mount Type:	Deck
Handle Type:	Lever
Connection Inlet:	M10 x 350mm 1/2" BSP Flexi Tails
Connection Outlet:	3.5l/min Flow Limiting M24 Flow Straightener
Number of Tap Holes:	1
Valve/Cartridge Type:	35mm Cartridge
Plumbing System Requirements:	Suitable for all plumbing systems, ideally balanced
Minimum Dynamic Pressure (bar):	0.5 bar
Maximum Dynamic Pressure (bar):	5.0 bar
Maximum Hot Water Temperature °C:	65°C
Maximum Static Pressure (bar):	10 bar
Flow Type:	Single
Isolation Included:	No

Dimensions (measurements in mm)



Flow Rates (l/min)

System Pressure (bar)	0.5	1	2	3	5
QD EBAS E4 C (mixed)	3.5	3.5	3.5	3.5	3.5

TECHNICAL DATA SHEET



BRISTAN

D4